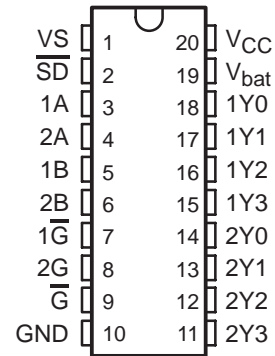


SN74BCT2414 MEMORY DECODER WITH ON-CHIP SUPPLY VOLTAGE MONITOR

SCBS059B – MARCH 1989 – REVISED NOVEMBER 1993

- BiCMOS Design Substantially Reduces Standby Current
- Two Independent 2-Line to 4-Line Decoders or One 3-Line to 8-Line Decoder
- Separate Enable Inputs for Easy Cascading
- Two Supply Voltage Terminals (V_{CC} and V_{bat})
- Built-In Supply-Voltage Monitor for V_{CC}
- Automatic Cut Off of Outputs During V_{CC} Fail
- Package Options Include Plastic Small-Outline (DW) Packages and Standard Plastic 300-mil DIPs (N)

DW OR N PACKAGE
(TOP VIEW)



description

The SN74BCT2414 is a decoder specially designed to be used in memory systems with battery backup during power failure. The two independent 2-line to 4-line decoders with separate and common control inputs may be externally cascaded to implement a 3-line to 8-line decoder.

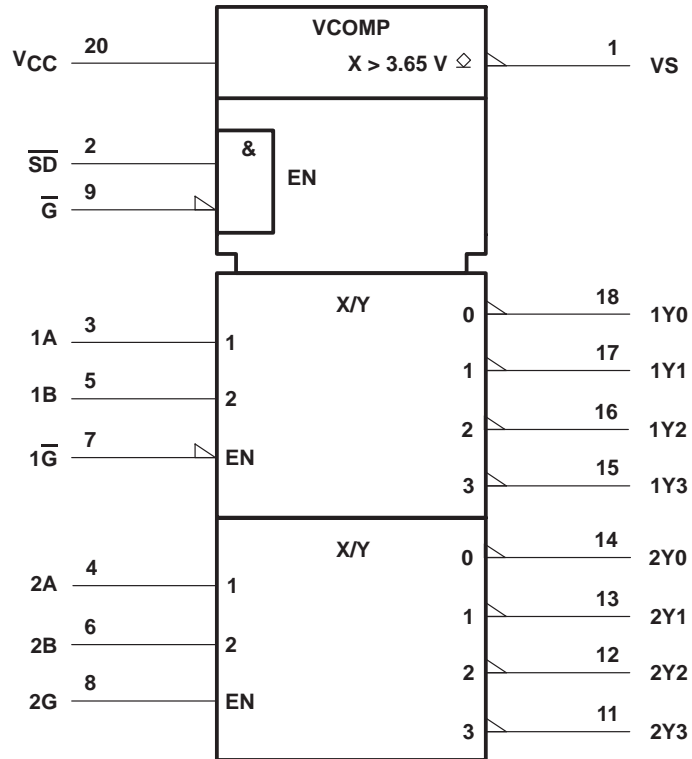
The circuit has two supply voltage inputs: the voltage monitor (bandgap) is powered via the V_{CC} terminal; the internal logic of the circuit is powered via the V_{bat} terminal. In case V_{CC} drops below 3.65 V (nominal), the voltage monitor forces the voltage-control (VS) and decoder outputs (Y) to the high level. VS may be used to disconnect the supply voltage of the memories (V_{bat}) from the system supply. This output is switched off when the on-chip supply voltage monitor detects a power failure.

The SN74BCT2414 is characterized for operation from 0°C to 70°C.

SN74BCT2414 MEMORY DECODER WITH ON-CHIP SUPPLY VOLTAGE MONITOR

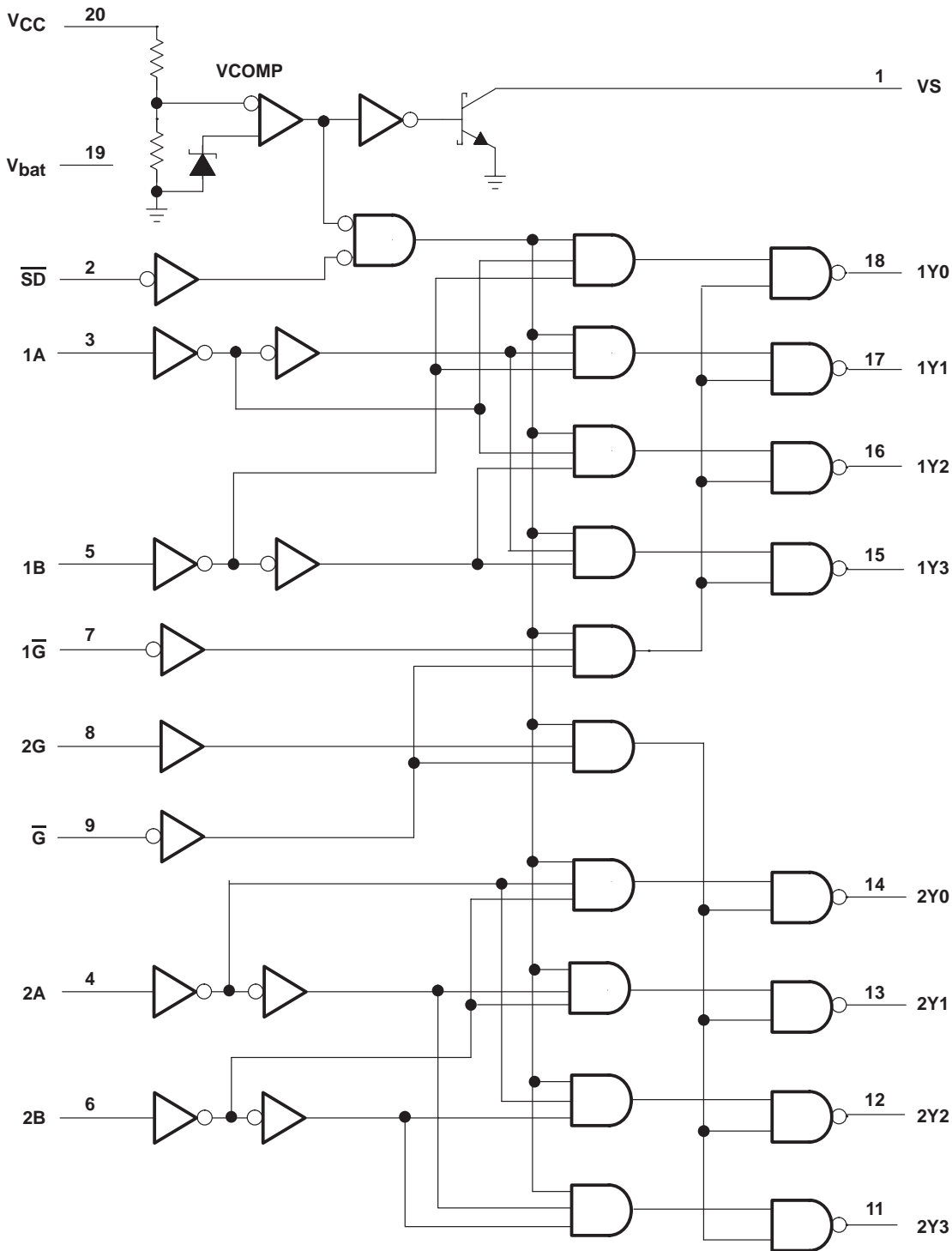
SCBS059B – MARCH 1989 – REVISED NOVEMBER 1993

logic symbol†



† This symbol is in accordance with ANSI/IEEE Std 91-1984 and IEC Publication 617-12.

logic diagram (positive logic)



SN74BCT2414
MEMORY DECODER
WITH ON-CHIP SUPPLY VOLTAGE MONITOR

SCBS059B – MARCH 1989 – REVISED NOVEMBER 1993

FUNCTION TABLES

INPUTS					OUTPUTS			
CONTROL			SELECT					
\overline{G}	$1\overline{G}$	\overline{SD}	1B	1A	1Y0	1Y1	1Y2	1Y3
H	X	X	X	X	H	H	H	H
X	H	X	X	X	H	H	H	H
X	X	L	X	X	H	H	H	H
L	L	H	L	L	L	H	H	H
L	L	H	L	H	H	L	H	H
L	L	H	H	L	H	H	L	H
L	L	H	H	H	H	H	H	L

INPUTS					OUTPUTS			
CONTROL			SELECT					
\overline{G}	2G	\overline{SD}	2B	2A	2Y0	2Y1	2Y2	2Y3
H	X	X	X	X	H	H	H	H
X	H	X	X	X	H	H	H	H
X	X	L	X	X	H	H	H	H
L	H	H	L	L	L	H	H	H
L	H	H	L	H	H	L	H	H
L	H	H	H	L	H	H	L	H
L	H	H	H	H	H	H	H	L

NOTE: For a 3-line to 8-line decoder, the following pins must be shorted: $1\overline{G}$ to 2G, 1A to 2A and 1B to 2B.

absolute maximum ratings over operating free-air temperature range (unless otherwise noted)†

Supply voltage range, V_{bat}	-0.5 V to 7 V
Supply voltage range, V_{CC}	-0.5 V to 7 V
Supply voltage V_{CC} with respect to V_{bat}	-1.5 V
Input voltage range, V_I	-0.5 V to $V_{CC} + 0.5$ V
Off-state output voltage range at V_S	-0.5 V to 7 V
Voltage range applied to any Y output in the power-off state	-0.5 V to 7 V
Voltage applied to any Y output in the power-off state with respect to V_{bat}	0.5 V
Operating free-air temperature range	0°C to 70°C
Storage temperature range	-65°C to 150°C

† Stresses beyond those listed under "absolute maximum ratings" may cause permanent damage to the device. These are stress ratings only, and functional operation of the device at these or any other conditions beyond those indicated under "recommended operating conditions" is not implied. Exposure to absolute-maximum-rated conditions for extended periods may affect device reliability

recommended operating conditions

		MIN	NOM	MAX	UNIT
V _{CC}	Supply voltage	4.5	5	5.5	V
V _{bat}	Supply voltage	4.5	5	5.5	V
V _{IH}	High-level input voltage	2			V
V _{IL}	Low-level input voltage			0.8	V
I _{IK}	Input clamp current			-18	mA
I _{OH}	High-level output current			-400	μA
I _{OL}	Low-level output current	Y outputs		8	mA
		VS outputs		20	
t _t	Input transition time	0		10	ns/V
T _A	Operating free-air temperature	0		70	°C

electrical characteristics over recommended operating free-air temperature range (unless otherwise noted)

PARAMETER		TEST CONDITIONS		MIN	TYP†	MAX	UNIT		
V _{IK}		V _{CC} = 4.5 V,	I _I = -18 mA			-1.2	V		
V _{OH}		V _{bat} = V _{CC} = 4.5 V	I _{OH} = -20 μA	4.4			V		
			I _{OH} = -400 μA	3.5					
		V _{bat} = 2 V, V _{CC} = 0,	I _{OH} = -50 μA	1.8					
V _{OL}	All except VS	V _{bat} = V _{CC} = 4.5 V	I _{OL} = 4 mA			0.4	V		
			I _{OL} = 8 mA			0.5			
	VS	V _{bat} = V _{CC} = 4.5 V,	I _{OL} = 20 mA			1			
V _{T‡}					3.65		V		
I _I		V _{bat} = V _{CC} = 5.5 V,	V _I = 5.5 V			100	μA		
I _{IH}		V _{bat} = V _{CC} = 5.5 V,	V _I = 2.7 V			±20	μA		
I _{IL}		V _{bat} = V _{CC} = 5.5 V,	V _I = 0.5 V			±20	μA		
I _{OH}	VS	V _{bat} = 4.5 V,	V _{CC} = 0			1	μA		
I _{O§}		V _{bat} = V _{CC} = 5.5 V,	V _O = 2.25 V	-30		-200	mA		
I _{CC}		V _{bat} = V _{CC} = 5.5 V	Outputs high			3	mA		
			Outputs low			3			
I _{bat}		V _{bat} = 2.5 V,	V _{CC} = 0			1	10	μA	
				Outputs high					20
		V _{bat} = V _{CC} = 5.5 V		Outputs high				3	mA
				Outputs low					
C _i		V _{bat} = V _{CC} = 5 V,	V _I = 0 or 3 V			4	pF		
C _o	Any Y	V _{bat} = V _{CC} = 0				6.5	pF		
	VS					5			

† All typical values are at V_{CC} = 5 V, T_A = 25°C.

‡ This value represents the V_{CC} monitor threshold voltage. Typical range is from 3.5 V to 3.8 V.

§ This output condition has been chosen to produce a current that closely approximates one half of the short-circuit output current, I_{OS}. Not more than one output should be tested at a time, and the duration of the test should not exceed one second.

SN74BCT2414
MEMORY DECODER
WITH ON-CHIP SUPPLY VOLTAGE MONITOR

SCBS059B – MARCH 1989 – REVISED NOVEMBER 1993

switching characteristics (see Note 1)

PARAMETER	FROM (INPUT)	TO (OUTPUT)	V _{CC} = 5 V, C _L = 50 pF, R1 = 500 Ω, R2 = 500 Ω, T _A = 25°C			V _{CC} = 4.5 V to 5.5 V, C _L = 50 pF, R1 = 500 Ω, R2 = 500 Ω, T _A = MIN to MAX†		UNIT
			MIN	TYP	MAX	MIN	MAX	
t _{PLH}	A or B	Any Y	1	5	10	1	12	ns
t _{PHL}			2	5.8	10	2	12	
t _{PLH}	Any \overline{G}	Any Y	1	4.5	9	1	10	ns
t _{PHL}			2	5.5	9	2	11	
t _{PLH}	\overline{SD}	Any Y	2	6.5	11	2	12	ns
t _{PHL}			2	6.5	11	2	12	

switching characteristics (see Note 1)

PARAMETER	FROM (INPUT)	TO (OUTPUT)	V _{CC} = 5 V, C _L = 50 pF, R1 = 500 Ω, R2 = 500 Ω, T _A = 25°C			V _{CC} = 4.5 V to 5.5 V, C _L = 50 pF, R1 = 500 Ω, R2 = 500 Ω, T _A = MIN to MAX†		UNIT
			MIN	TYP	MAX	MIN	MAX	
t _{PLH}	V _{CC}	Any Y	10	25	50	10	250	ns
t _{PHL}			15	45	100	15	250	
t _{PLH}	V _{CC}	VS	10	28	50	10	250	ns
t _{PHL}			20	50	100	20	250	

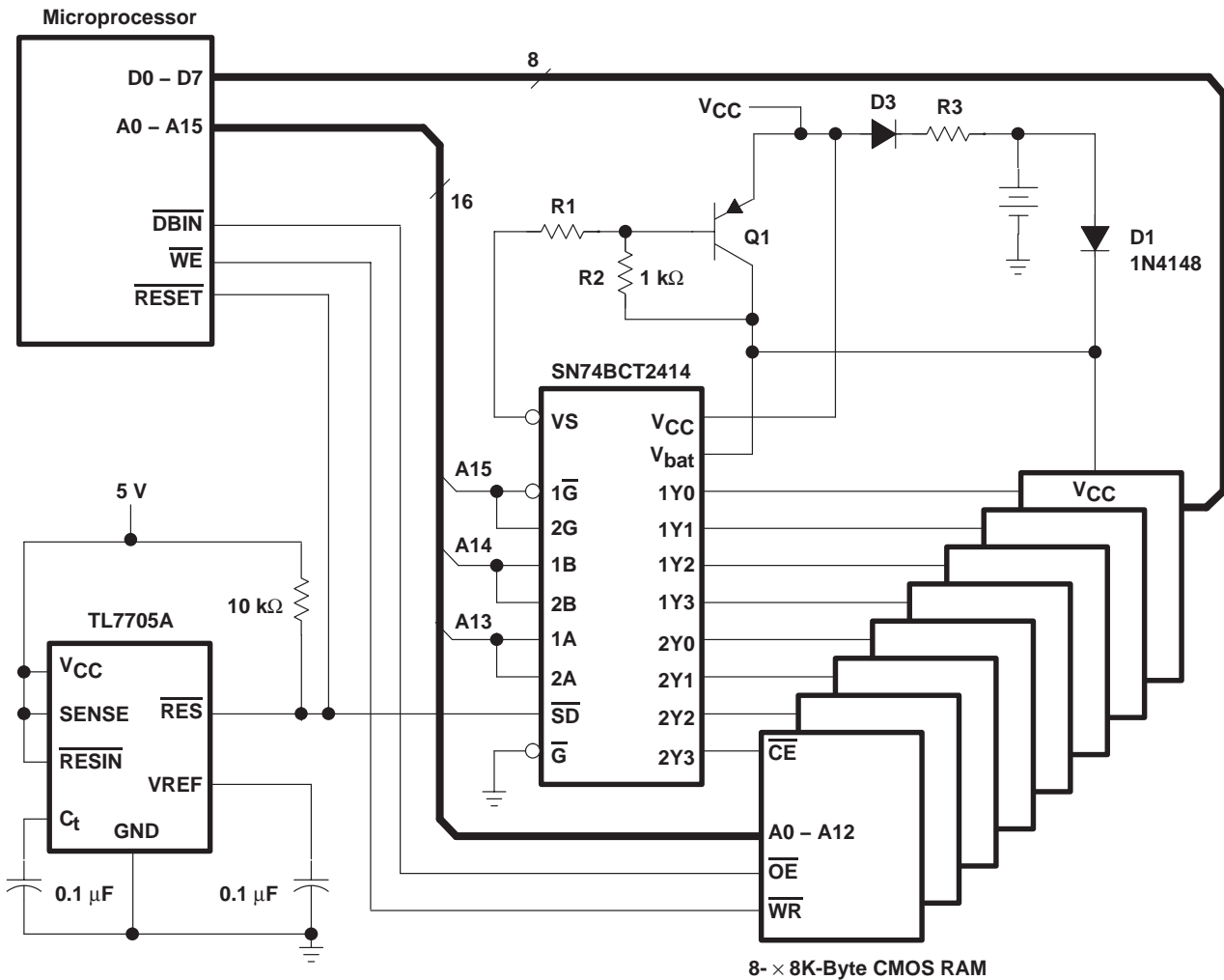
† For conditions shown as MIN or MAX, use the appropriate value specified under recommended operating conditions.

NOTE 1: Load circuits and voltage waveforms are shown in Section 1.



APPLICATION INFORMATION

A typical application circuit for a battery-buffered memory in a microcomputer system is shown in Figure 1 which uses the SN74BCT2414. When power fails, the supply-voltage supervisor (TL7705) resets the microcomputer and disables the memory by switching the shutdown input \overline{SD} of the memory decoder to a logic zero. All memory decoder outputs are forced to a logic one. Abnormal write commands from the microprocessor, which may be issued during further voltage breakdown, no longer affect the contents of the memory. When the system supply voltage becomes lower than approximately 3.65 V, the voltage monitor inside the SN74BCT2414 memory decoder disconnects the input buffers of this circuit from the decoding logic internally and keeps all outputs at a logic one. The VS output is also switched off, disconnecting the system supply voltage from the memory circuits. During this low-voltage condition, the memory decoder and the memory circuits are supplied by the battery.



For further information on this device, please contact factory.

Figure 1. Memory System With Battery Backup

PACKAGING INFORMATION

Orderable Device	Status ⁽¹⁾	Package Type	Package Drawing	Pins	Package Qty	Eco Plan ⁽²⁾	Lead/Ball Finish	MSL Peak Temp ⁽³⁾
SN74BCT2414DW	ACTIVE	SOIC	DW	20	25	Green (RoHS & no Sb/Br)	CU NIPDAU	Level-1-260C-UNLIM
SN74BCT2414DWG4	ACTIVE	SOIC	DW	20	25	Green (RoHS & no Sb/Br)	CU NIPDAU	Level-1-260C-UNLIM
SN74BCT2414DWR	ACTIVE	SOIC	DW	20	2000	Green (RoHS & no Sb/Br)	CU NIPDAU	Level-1-260C-UNLIM
SN74BCT2414DWRE4	ACTIVE	SOIC	DW	20	2000	Green (RoHS & no Sb/Br)	CU NIPDAU	Level-1-260C-UNLIM
SN74BCT2414DWRG4	ACTIVE	SOIC	DW	20	2000	Green (RoHS & no Sb/Br)	CU NIPDAU	Level-1-260C-UNLIM
SN74BCT2414N	ACTIVE	PDIP	N	20	20	Pb-Free (RoHS)	CU NIPDAU	N / A for Pkg Type
SN74BCT2414NE4	ACTIVE	PDIP	N	20	20	Pb-Free (RoHS)	CU NIPDAU	N / A for Pkg Type

⁽¹⁾ The marketing status values are defined as follows:

ACTIVE: Product device recommended for new designs.

LIFEBUY: TI has announced that the device will be discontinued, and a lifetime-buy period is in effect.

NRND: Not recommended for new designs. Device is in production to support existing customers, but TI does not recommend using this part in a new design.

PREVIEW: Device has been announced but is not in production. Samples may or may not be available.

OBSELETE: TI has discontinued the production of the device.

⁽²⁾ Eco Plan - The planned eco-friendly classification: Pb-Free (RoHS), Pb-Free (RoHS Exempt), or Green (RoHS & no Sb/Br) - please check <http://www.ti.com/productcontent> for the latest availability information and additional product content details.

TBD: The Pb-Free/Green conversion plan has not been defined.

Pb-Free (RoHS): TI's terms "Lead-Free" or "Pb-Free" mean semiconductor products that are compatible with the current RoHS requirements for all 6 substances, including the requirement that lead not exceed 0.1% by weight in homogeneous materials. Where designed to be soldered at high temperatures, TI Pb-Free products are suitable for use in specified lead-free processes.

Pb-Free (RoHS Exempt): This component has a RoHS exemption for either 1) lead-based flip-chip solder bumps used between the die and package, or 2) lead-based die adhesive used between the die and leadframe. The component is otherwise considered Pb-Free (RoHS compatible) as defined above.

Green (RoHS & no Sb/Br): TI defines "Green" to mean Pb-Free (RoHS compatible), and free of Bromine (Br) and Antimony (Sb) based flame retardants (Br or Sb do not exceed 0.1% by weight in homogeneous material)

⁽³⁾ MSL, Peak Temp. -- The Moisture Sensitivity Level rating according to the JEDEC industry standard classifications, and peak solder temperature.

Important Information and Disclaimer:The information provided on this page represents TI's knowledge and belief as of the date that it is provided. TI bases its knowledge and belief on information provided by third parties, and makes no representation or warranty as to the accuracy of such information. Efforts are underway to better integrate information from third parties. TI has taken and continues to take reasonable steps to provide representative and accurate information but may not have conducted destructive testing or chemical analysis on incoming materials and chemicals. TI and TI suppliers consider certain information to be proprietary, and thus CAS numbers and other limited information may not be available for release.

In no event shall TI's liability arising out of such information exceed the total purchase price of the TI part(s) at issue in this document sold by TI to Customer on an annual basis.

TAPE AND REEL INFORMATION



QUADRANT ASSIGNMENTS FOR PIN 1 ORIENTATION IN TAPE



*All dimensions are nominal

Device	Package Type	Package Drawing	Pins	SPQ	Reel Diameter (mm)	Reel Width W1 (mm)	A0 (mm)	B0 (mm)	K0 (mm)	P1 (mm)	W (mm)	Pin1 Quadrant
SN74BCT2414DWR	SOIC	DW	20	2000	330.0	24.4	10.8	13.0	2.7	12.0	24.0	Q1

TAPE AND REEL BOX DIMENSIONS



*All dimensions are nominal

Device	Package Type	Package Drawing	Pins	SPQ	Length (mm)	Width (mm)	Height (mm)
SN74BCT2414DWR	SOIC	DW	20	2000	346.0	346.0	41.0

DW (R-PDSO-G20)

PLASTIC SMALL-OUTLINE PACKAGE



- NOTES:
- A. All linear dimensions are in inches (millimeters).
 - B. This drawing is subject to change without notice.
 - C. Body dimensions do not include mold flash or protrusion not to exceed 0.006 (0,15).
 - D. Falls within JEDEC MS-013 variation AC.

N (R-PDIP-T**)

PLASTIC DUAL-IN-LINE PACKAGE

16 PINS SHOWN



- NOTES:
- A. All linear dimensions are in inches (millimeters).
 - B. This drawing is subject to change without notice.
 - (C) Falls within JEDEC MS-001, except 18 and 20 pin minimum body length (Dim A).
 - (D) The 20 pin end lead shoulder width is a vendor option, either half or full width.

IMPORTANT NOTICE

Texas Instruments Incorporated and its subsidiaries (TI) reserve the right to make corrections, modifications, enhancements, improvements, and other changes to its products and services at any time and to discontinue any product or service without notice. Customers should obtain the latest relevant information before placing orders and should verify that such information is current and complete. All products are sold subject to TI's terms and conditions of sale supplied at the time of order acknowledgment.

TI warrants performance of its hardware products to the specifications applicable at the time of sale in accordance with TI's standard warranty. Testing and other quality control techniques are used to the extent TI deems necessary to support this warranty. Except where mandated by government requirements, testing of all parameters of each product is not necessarily performed.

TI assumes no liability for applications assistance or customer product design. Customers are responsible for their products and applications using TI components. To minimize the risks associated with customer products and applications, customers should provide adequate design and operating safeguards.

TI does not warrant or represent that any license, either express or implied, is granted under any TI patent right, copyright, mask work right, or other TI intellectual property right relating to any combination, machine, or process in which TI products or services are used. Information published by TI regarding third-party products or services does not constitute a license from TI to use such products or services or a warranty or endorsement thereof. Use of such information may require a license from a third party under the patents or other intellectual property of the third party, or a license from TI under the patents or other intellectual property of TI.

Reproduction of TI information in TI data books or data sheets is permissible only if reproduction is without alteration and is accompanied by all associated warranties, conditions, limitations, and notices. Reproduction of this information with alteration is an unfair and deceptive business practice. TI is not responsible or liable for such altered documentation. Information of third parties may be subject to additional restrictions.

Resale of TI products or services with statements different from or beyond the parameters stated by TI for that product or service voids all express and any implied warranties for the associated TI product or service and is an unfair and deceptive business practice. TI is not responsible or liable for any such statements.

TI products are not authorized for use in safety-critical applications (such as life support) where a failure of the TI product would reasonably be expected to cause severe personal injury or death, unless officers of the parties have executed an agreement specifically governing such use. Buyers represent that they have all necessary expertise in the safety and regulatory ramifications of their applications, and acknowledge and agree that they are solely responsible for all legal, regulatory and safety-related requirements concerning their products and any use of TI products in such safety-critical applications, notwithstanding any applications-related information or support that may be provided by TI. Further, Buyers must fully indemnify TI and its representatives against any damages arising out of the use of TI products in such safety-critical applications.

TI products are neither designed nor intended for use in military/aerospace applications or environments unless the TI products are specifically designated by TI as military-grade or "enhanced plastic." Only products designated by TI as military-grade meet military specifications. Buyers acknowledge and agree that any such use of TI products which TI has not designated as military-grade is solely at the Buyer's risk, and that they are solely responsible for compliance with all legal and regulatory requirements in connection with such use.

TI products are neither designed nor intended for use in automotive applications or environments unless the specific TI products are designated by TI as compliant with ISO/TS 16949 requirements. Buyers acknowledge and agree that, if they use any non-designated products in automotive applications, TI will not be responsible for any failure to meet such requirements.

Following are URLs where you can obtain information on other Texas Instruments products and application solutions:

Products

Amplifiers	amplifier.ti.com
Data Converters	dataconverter.ti.com
DSP	dsp.ti.com
Clocks and Timers	www.ti.com/clocks
Interface	interface.ti.com
Logic	logic.ti.com
Power Mgmt	power.ti.com
Microcontrollers	microcontroller.ti.com
RFID	www.ti-rfid.com
RF/IF and ZigBee® Solutions	www.ti.com/lprf

Applications

Audio	www.ti.com/audio
Automotive	www.ti.com/automotive
Broadband	www.ti.com/broadband
Digital Control	www.ti.com/digitalcontrol
Medical	www.ti.com/medical
Military	www.ti.com/military
Optical Networking	www.ti.com/opticalnetwork
Security	www.ti.com/security
Telephony	www.ti.com/telephony
Video & Imaging	www.ti.com/video
Wireless	www.ti.com/wireless

Mailing Address: Texas Instruments, Post Office Box 655303, Dallas, Texas 75265
Copyright © 2008, Texas Instruments Incorporated